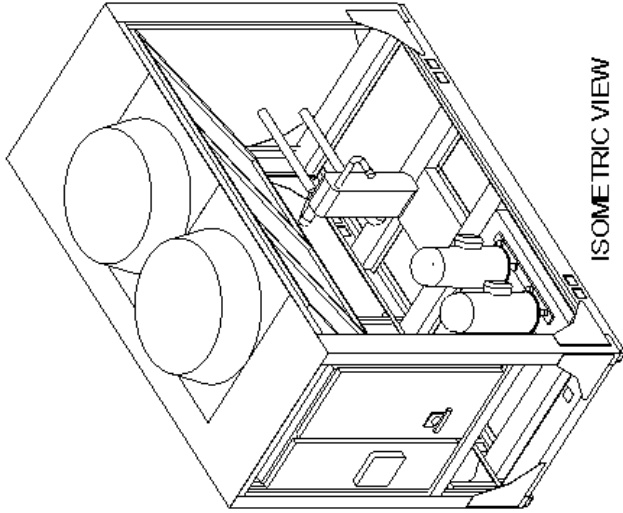
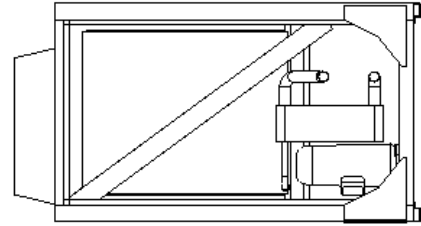


INLET/OUTLET WATER
 CONNECTION SIZE
 2" (50mm)

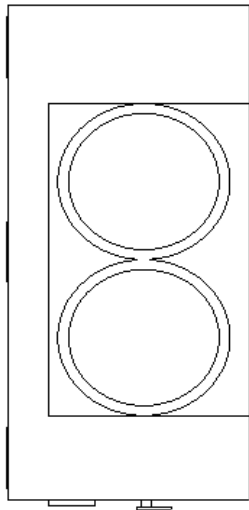
BRAZE PLATE
 WATER VOLUME/STORAGE
 1.4 GAL (5.3 LITERS)



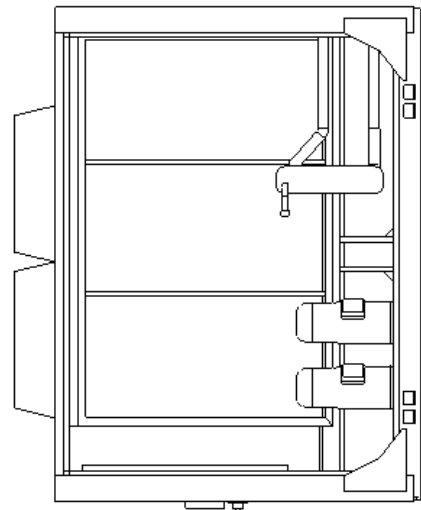
ISOMETRIC VIEW



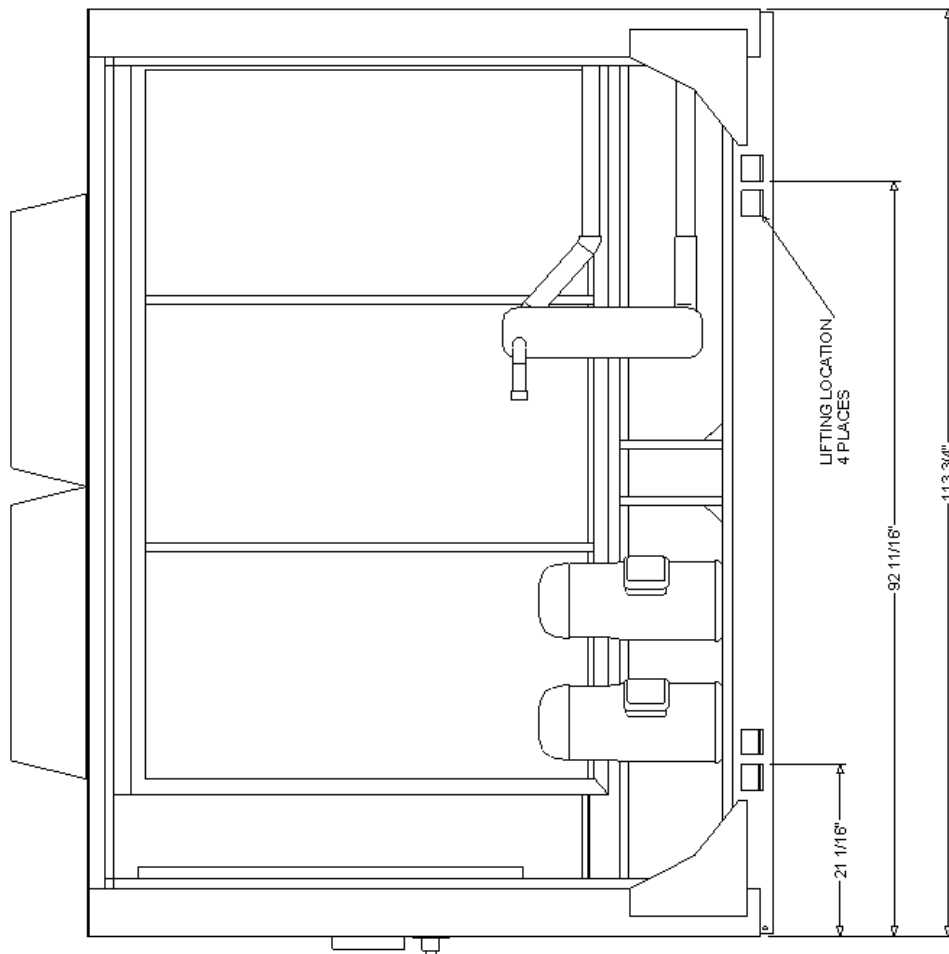
BACK VIEW



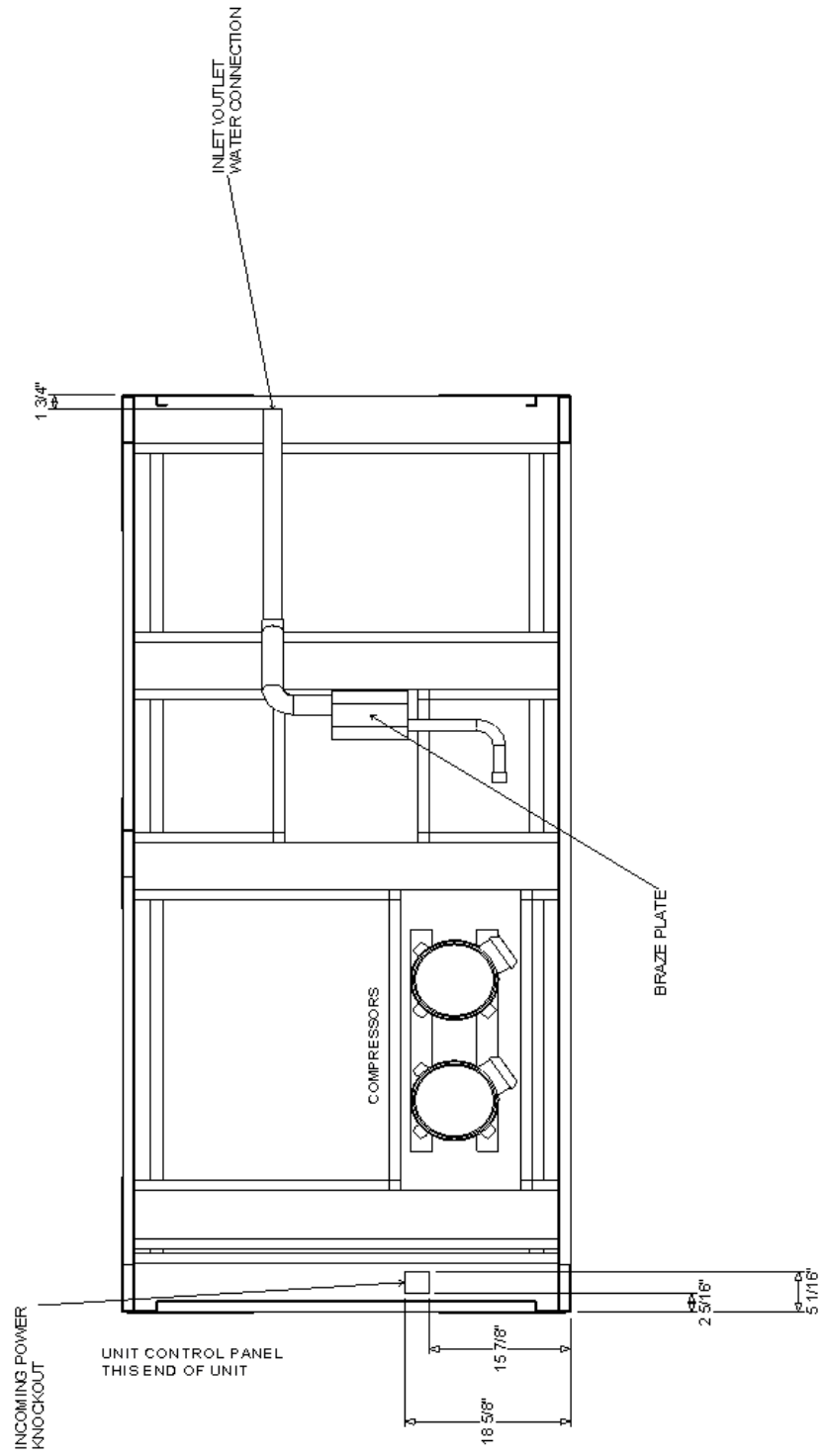
TOP VIEW



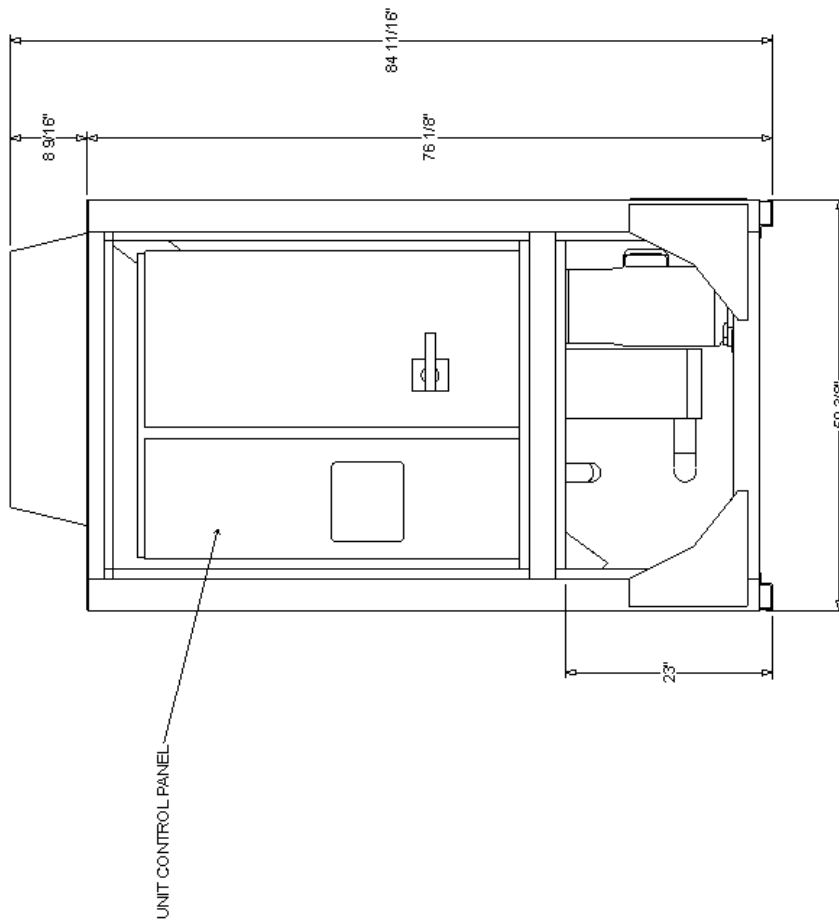
RIGHT SIDE VIEW



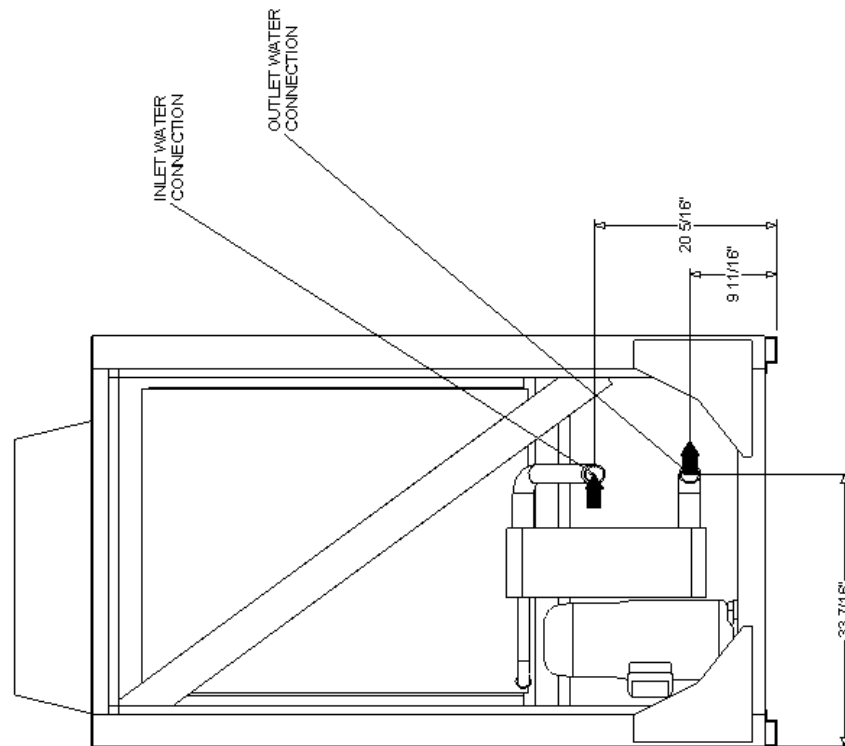
RIGHT SIDE VIEW

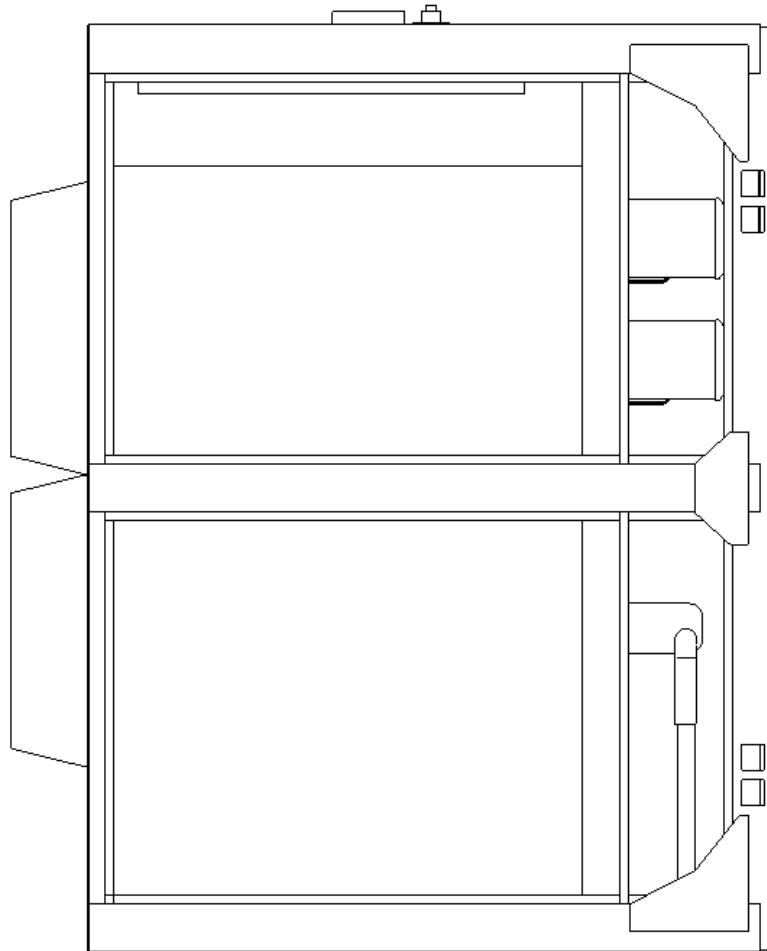


TOP VIEW
 CONDENSER, CONTROL PANEL AND
 VSD (WHEN ORDERED) REMOVED FOR CLARITY

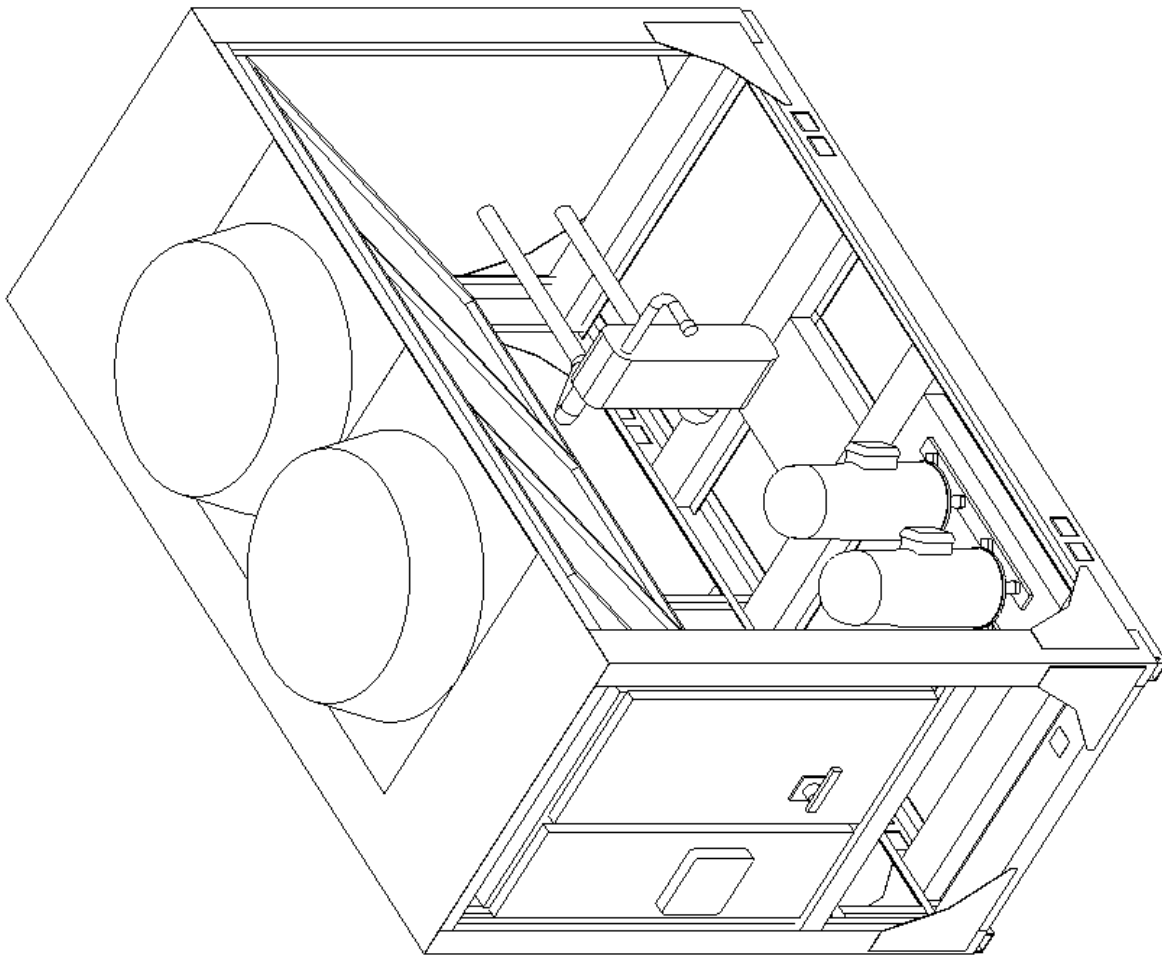


FRONT VIEW





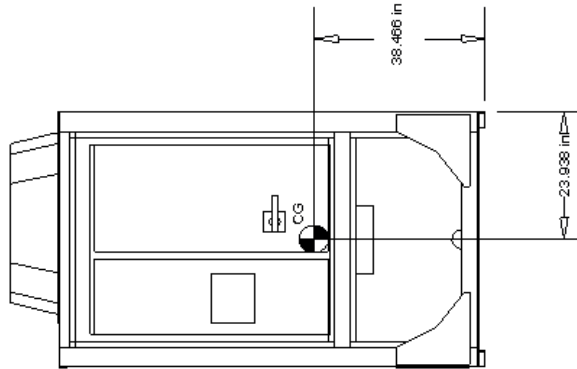
LEFT SIDE VIEW



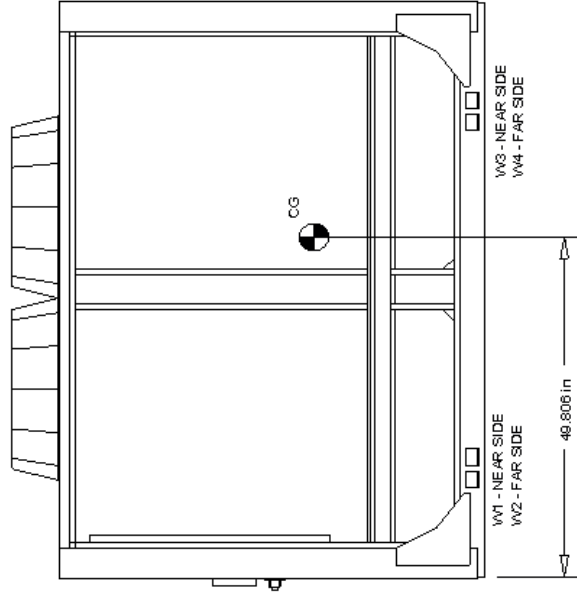
ISOMETRIC VIEW

UNIT CENTER OF GRAVITY

LIFTING WEIGHTS			
W1	W2	W3	SHIPPING WEIGHT
670.9 lb	588.2 lb	448.6 lb	2185.2 lb
		363.3 lb	



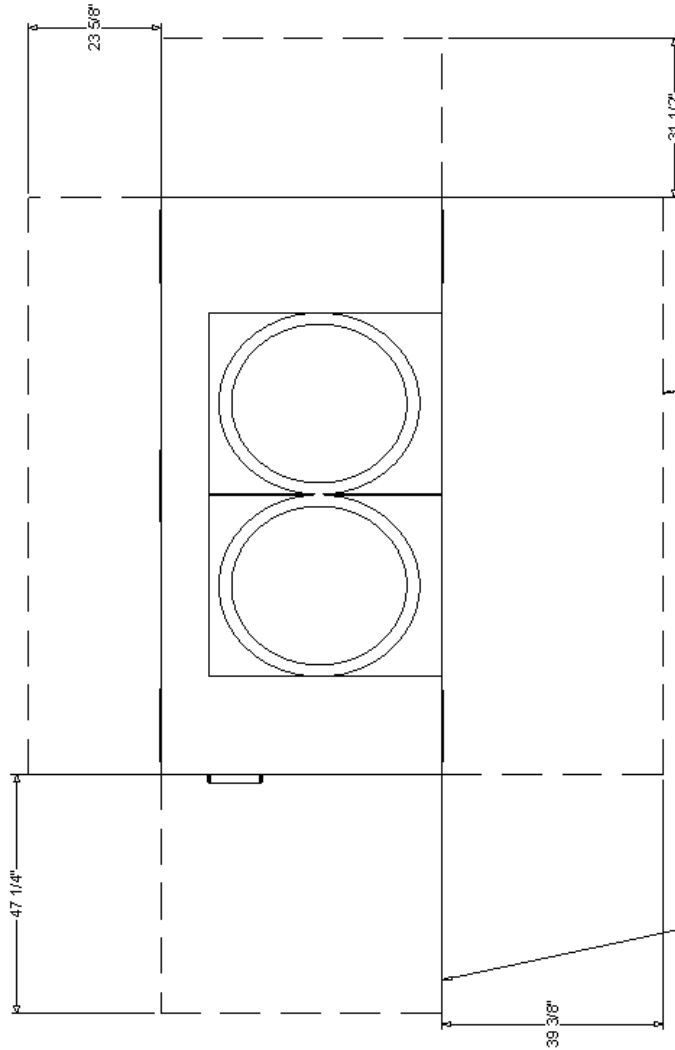
FRONT VIEW
CONTROL PANEL END



SIDE VIEW

UNIT CLEARANCE

NO OBSTRUCTIONS ABOVE THE CONDENSER



WORKING CLEARANCE PER NATIONAL
ELECTRIC CODE ARTICLE 110-26.

NO OBSTRUCTIONS RECOMMENDED.
Area Required for unit operation, maintenance,
and access panel.
MORE CLEARANCE MAY BE NEEDED FOR
AIRFLOW DEPENDENT UPON THE
INSTALLATION.

FOR OBSTRUCTIONS OR MULTIPLE UNITS,
REFER TO THE CLOSE SPACING BULLETIN.

TOP VIEW

UNIT RIGGING

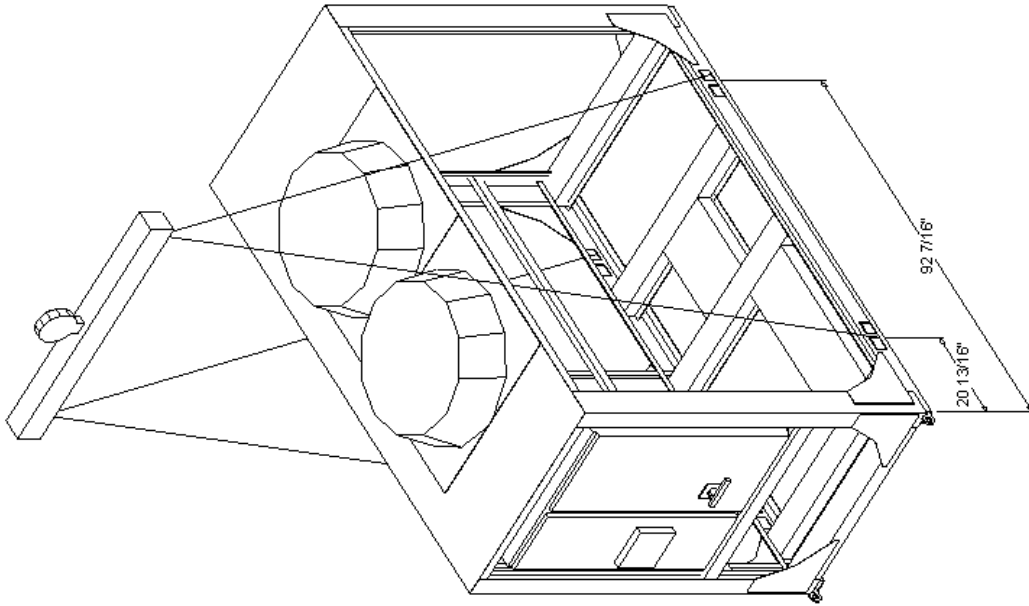
LIFTING A UNIT WITH EQUAL LENGTH STRAPS WILL NOT PRODUCE A LEVEL UNIT DURING THE LIFT BECAUSE THE CG WILL NOT BE AT THE MIDPOINT BETWEEN THE BASE LIFTING HOLES. THE FOLLOWING ADJUSTMENTS MUST BE MADE TO PRODUCE A LEVEL LIFT:

- SINGLE SPREADER BAR LIFTING METHOD
 IF THE UNIT CG IS CLOSER TO THE CONTROL PANEL, THE STRAPS ON THE CONTROL PANEL SIDE OF THE SPREADER BAR MUST BE ADJUSTED TO BE SHORTER THAN THOSE ON THE OPPOSITE SIDE OF THE SPREADER BAR, ALLOWING THE SPREADER BAR TO MOVE TOWARD THE CONTROL PANEL AND OVER THE UNIT CG. SEVERAL ADJUSTMENTS OF THE STRAP LENGTH MAY BE REQUIRED TO PRODUCE A LEVEL UNIT DURING LIFT.
- H-TYPE SPREADER BAR LIFTING METHOD
 IF THE STRAPS FROM THE H BAR TO THE UNIT BASE ARE THE SAME LENGTH, THE CRANE LIFTING POINT ON THE CENTER WEB OF THE H BAR MUST BE ADJUSTED TO PRODUCE A LEVEL UNIT LIFT.


IMPROPER LIFTING AND MOVING!

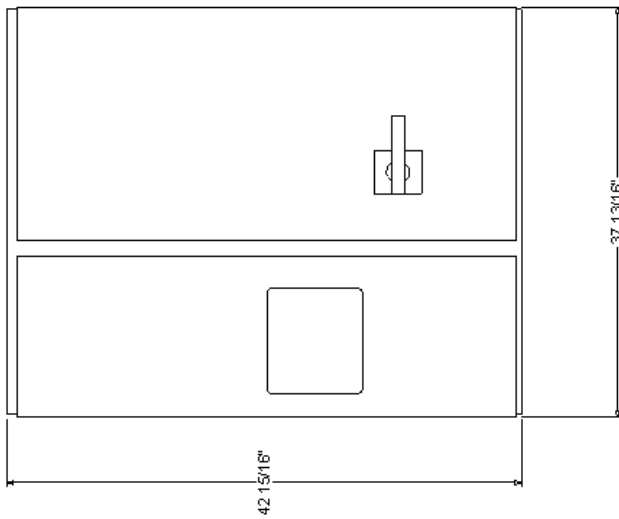
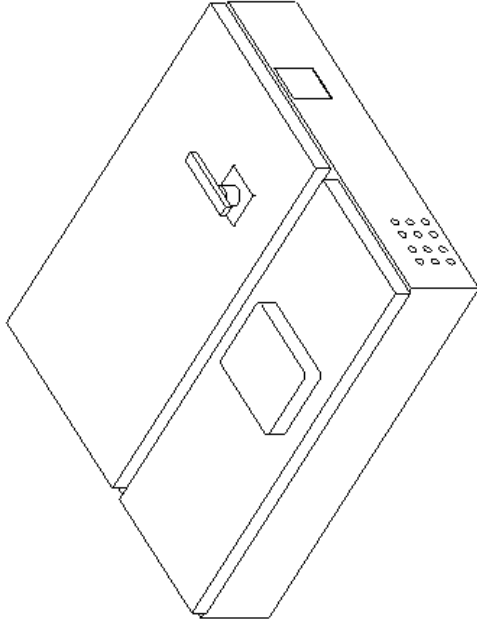
USE SPREADER BAR AS SHOWN IN DIAGRAM. REFER TO INSTALLATION MANUAL OR NAMEPLATE FOR UNIT WEIGHT. REFER TO INSTALLATION INSTRUCTIONS LOCATED INSIDE CONTROL PANEL FOR FURTHER RIGGING INFORMATION.

OTHER LIFTING ARRANGEMENTS COULD RESULT IN DEATH, SERIOUS INJURY OR EQUIPMENT DAMAGE.


ISOMETRIC VIEW

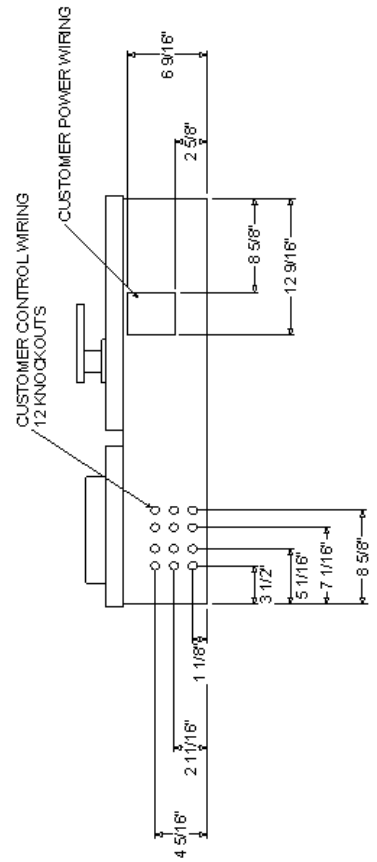
SHORT CIRCUIT RATING

CUSTOMER WIRE SELECTION TABLE		POWER WIRE CONNECTION TO CIRCUIT BREAKER (1 Q1)	
UNIT SIZE	UNIT EFF	VOLTAGE	CIR 1 (SINGLE POINT POWER) LUG WIRE SIZE RANGE (PER PHASE)
020	HIGH	480	(1 MAX Conductor per phase) #8-3/0



ISOMETRIC VIEW

FRONT VIEW



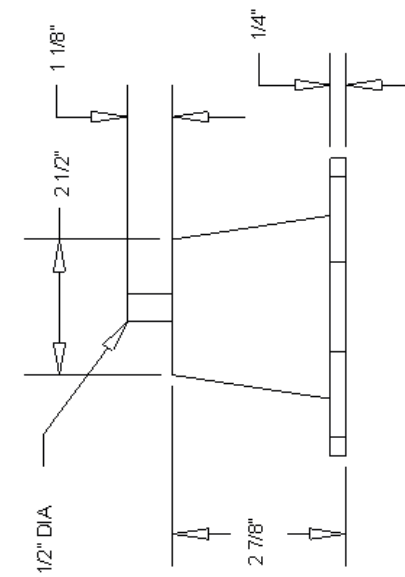
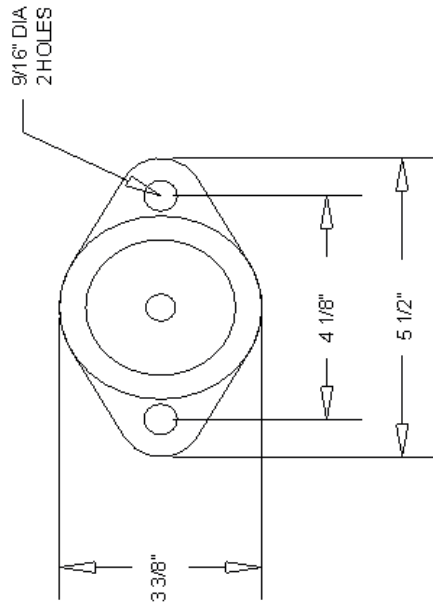
BOTTOM VIEW

UNIT SIZE	MOUNTING LOCATIONS AND ISOLATOR NUMBER			
	1	2	3	4
020	RDP-3 CHARCOAL	RDP-3 CHARCOAL	RDP-3 CHARCOAL	RDP-3 CHARCOAL

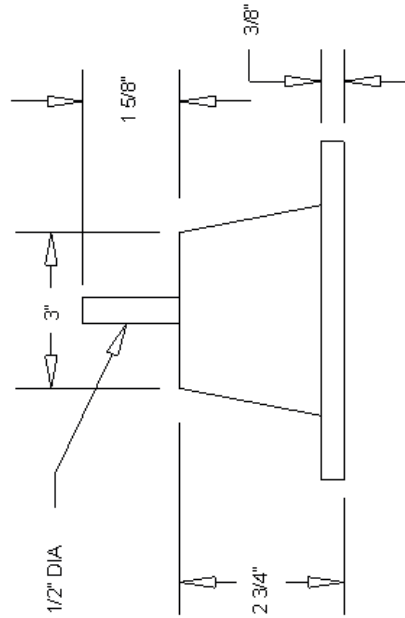
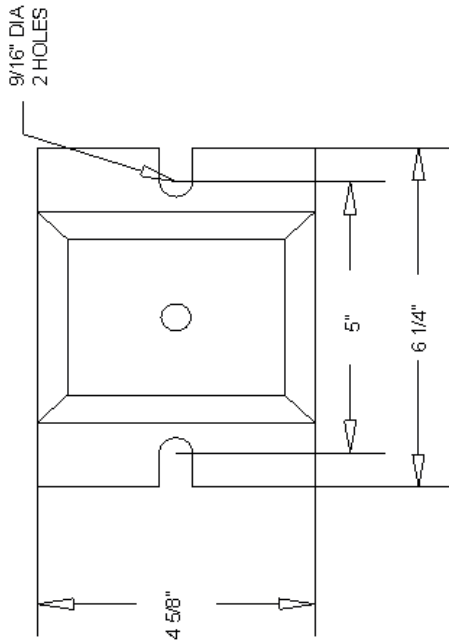
CONTROL PANEL	1	2	3	4
---------------	---	---	---	---

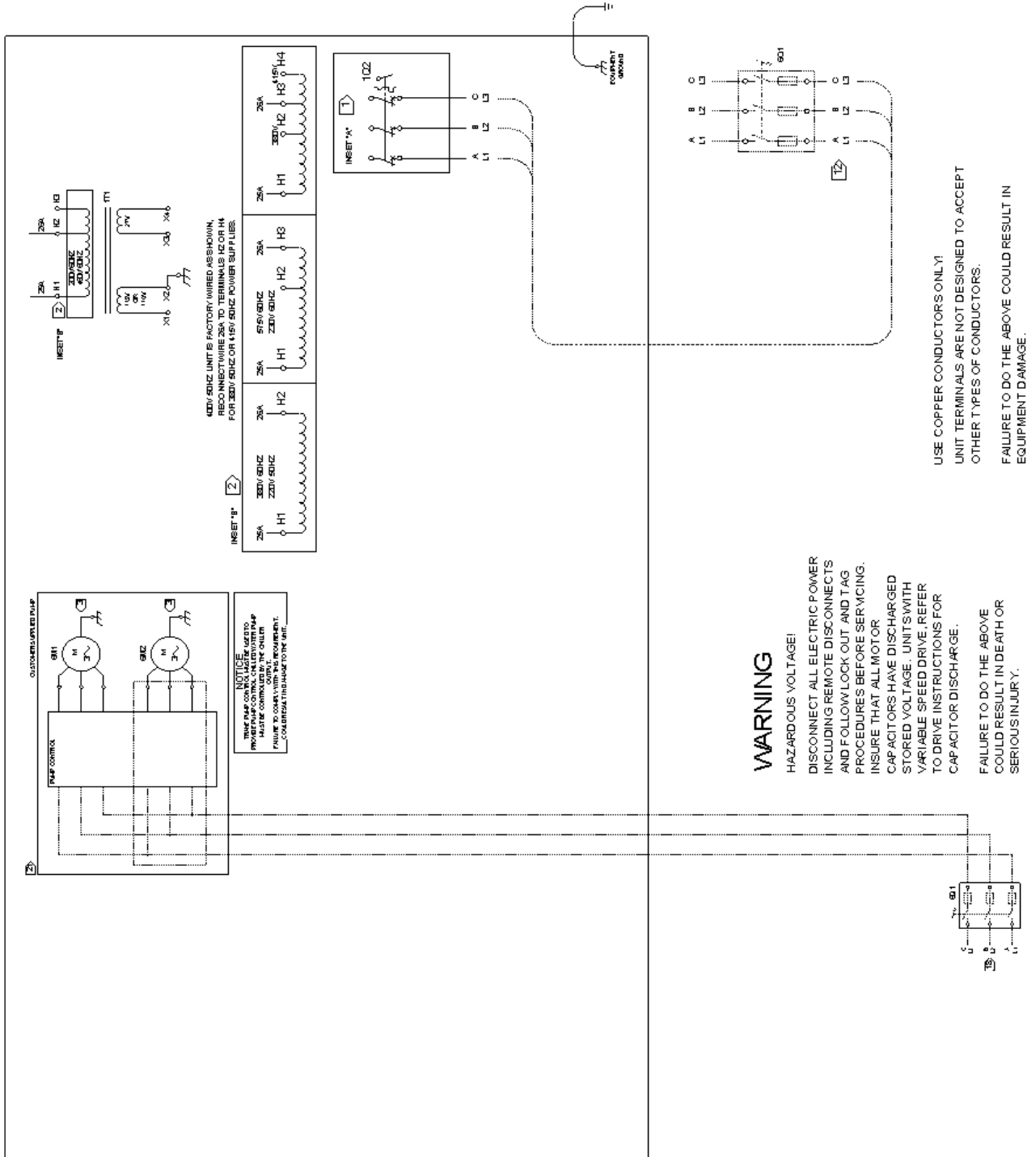
SEE ISOLATOR POINT LOADS FOR DETAILED INFORMATION ON ISOLATOR LOCATIONS.

RDP-3 ISOLATORS



RDP-4 ISOLATORS



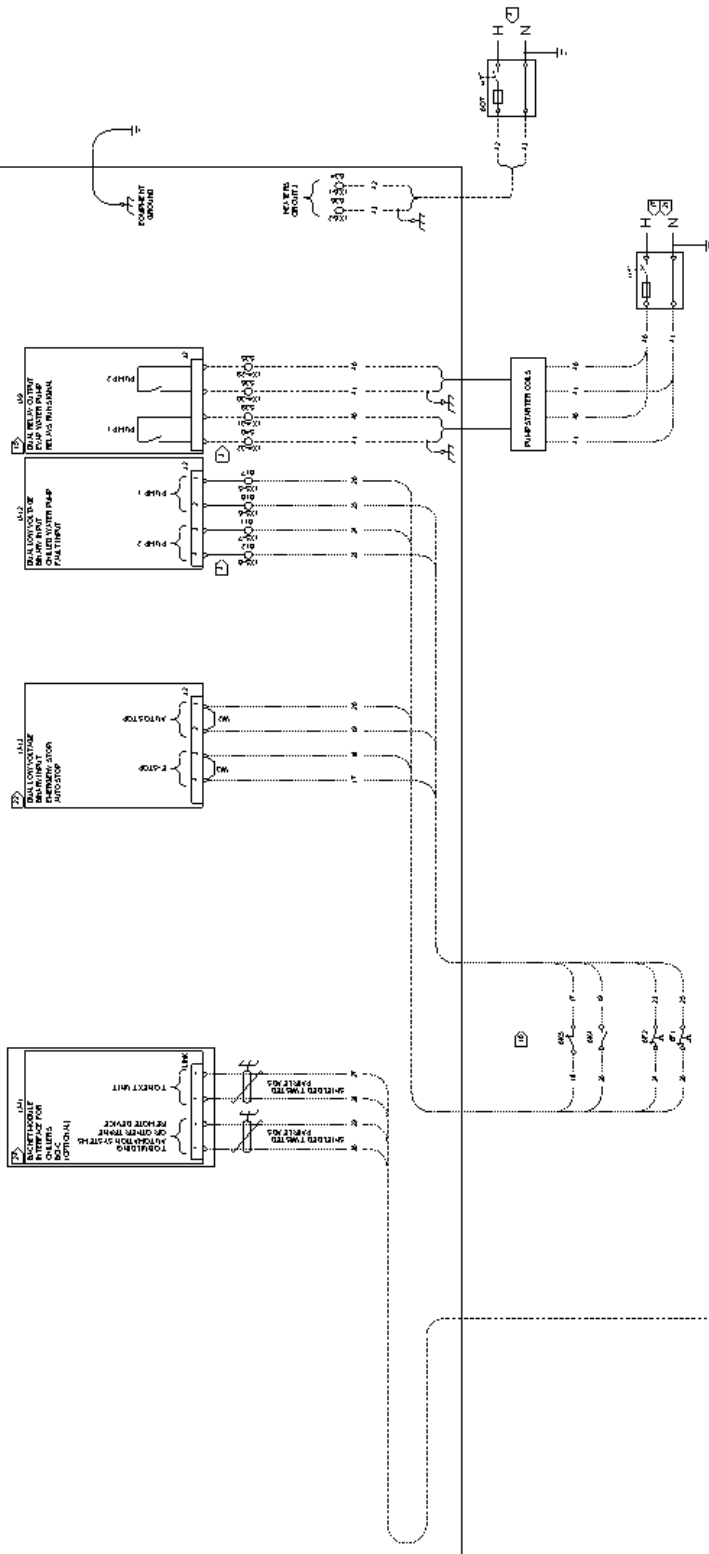


WARNING

HAZARDOUS VOLTAGE!
 DISCONNECT ALL ELECTRIC POWER INCLUDING REMOTE DISCONNECTS AND FOLLOW LOCK OUT AND TAG PROCEDURES BEFORE SERVICING. INSURE THAT ALL MOTOR CAPACITORS HAVE DISCHARGED STORED VOLTAGE. UNITS WITH VARIABLE SPEED DRIVE, REFER TO DRIVE INSTRUCTIONS FOR CAPACITOR DISCHARGE.
 FAILURE TO DO THE ABOVE COULD RESULT IN DEATH OR SERIOUS INJURY.

USE COPPER CONDUCTORS ONLY!
 UNIT TERMINALS ARE NOT DESIGNED TO ACCEPT OTHER TYPES OF CONDUCTORS.
 FAILURE TO DO THE ABOVE COULD RESULT IN EQUIPMENT DAMAGE.

CONTROL PANEL
PAGE 2 OF 2



WARNING

HAZARDOUS VOLTAGE!
DISCONNECT ALL ELECTRIC POWER INCLUDING REMOTE DISCONNECTS AND FOLLOW LOCK OUT AND TAG PROCEDURES BEFORE SERVICING. INSURE THAT ALL MOTOR CAPACITORS HAVE DISCHARGED STORED VOLTAGE. UNITS WITH VARIABLE SPEED DRIVE, REFER TO DRIVE INSTRUCTIONS FOR CAPACITOR DISCHARGE.
FAILURE TO DO THE ABOVE COULD RESULT IN DEATH OR SERIOUS INJURY.

USE COPPER CONDUCTORS ONLY!
UNIT TERMINALS ARE NOT DESIGNED TO ACCEPT OTHER TYPES OF CONDUCTORS.
FAILURE TO DO THE ABOVE COULD RESULT IN EQUIPMENT DAMAGE.



- 1 SINGLE SOURCE POWER IS PROVIDED AS STANDARD ON THESE PRODUCTS. FIELD CONNECTIONS ARE MADE TO 1X1, OR 1Q2.
- 2 FOR VOLTAGES 200V/60HZ, 220V/50HZ, 380V/60HZ, 460V/60HZ, WIRE 26A SHALL BE CONNECTED TO H2. FOR VOLTAGES 230V/60HZ & 575V/60HZ, WIRE 26A SHALL BE CONNECT TO H3. 400V/50HZ UNIT IS FACTORY WIRED WITH 26A CONNECTED TO H3 - RECONNECT WIRE 26A TO H2 FOR 380V/60HZ, OR H4 FOR 415V/50HZ. H4 IS ONLY AVAILABLE WITH 400V/50HZ PANELS.
- 3 FIELD CONNECTIONS ARE ONLY MADE IN A CUSTOMER PROVIDED PUMP (PTYP=NONE). THESE CONNECTIONS WILL BE MADE BY THE FACTORY WHEN THE PUMP IS PROVIDED BY THE FACTORY (PTYP=DHHP).
- 4 CUSTOMER SUPPLIED POWER 115/60/1 OR 220/50/1 TO POWER RELAYS. MAX. FUSE SIZE IS 20 AMPS. GROUND ALL CUSTOMER SUPPLIED POWER SUPPLIES AS REQUIRED BY APPLICABLE CODES. GREEN GROUND SCREWS ARE PROVIDED IN UNIT CONTROL PANEL.
- 5 WIRED TO NEXT UNIT. 22 AWG SHIELDED COMMUNICATION WIRE EQUIVALENT TO HELIX LF22P0014216 RECOMMENDED. THE SUM TOTAL OF ALL INTERCONNECTED CABLE SEGMENTS NOT TO EXCEED 4500 FEET. CONNECTION TOPOLOGY SHOULD BE DAISY CHAIN. REFER TO BUILDING AUTOMATION SYSTEM (BAS) COMMUNICATION INSTALLATION LITERATURE FOR END OF LINE TERMINATION RESISTOR REQUIREMENTS.
- 6 WIRED TO TRACER OR OTHER TRANE REMOTE DEVICE. 22 AWG SHIELDED COMMUNICATION WIRE EQUIVALENT TO HELIX LF22P0014216 RECOMMENDED. THE SUM TOTAL OF ALL INTERCONNECTED CABLE SEGMENTS NOT TO EXCEED 4500 FEET. CONNECTION TOPOLOGY SHOULD BE DAISY CHAIN. REFER TO BUILDING AUTOMATION SYSTEM (BAS) COMMUNICATION INSTALLATION LITERATURE FOR END OF LINE TERMINATION RESISTOR REQUIREMENTS.
- 7 WIRED TO CUSTOMER CHILLED WATER SET POINT 2-10V OR 4-20mA.
- 8 WIRED TO CUSTOMER EXTERNAL DEMAND LIMIT 2-10V OR 4-20mA.
- 9 WIRED TO CUSTOMER 2-10V OR 4-20mA % CAPACITY ANNUNCIATOR.
- 10 WIRED TO TRACER OR OTHER REMOTE DEVICE.
- 11 REFER TO CGAM ELECTRICAL SCHEMATIC FOR SPECIFIC ELECTRICAL CONNECTION INFORMATION AND NOTES PERTAINING TO WIRING INSTALLATION.
- 12 ALL UNIT POWER WIRING MUST BE 600 VOLT COPPER CONDUCTORS ONLY AND HAVE A MINIMUM TEMPERATURE INSULATION RATING OF 90 DEGREE C. REFER TO UNIT NAMEPLATE FOR MINIMUM CIRCUIT AMPACITY AND MAXIMUM OVERCURRENT PROTECTION DEVICE. PROVIDE AN EQUIPMENT GROUND IN ACCORDANCE WITH APPLICABLE ELECTRIC CODES. REFER TO WIRE RANGE TABLE FOR LUG SIZES.
- 13 ALL FIELD WIRING MUST BE IN ACCORDANCE WITH NATIONAL ELECTRIC CODE AND LOCAL REQUIREMENTS.
- 14 ALL CUSTOMER CONTROL CIRCUIT WIRING MUST BE COPPER CONDUCTORS ONLY AND HAVE A MINIMUM INSULATION RATING OF 300 VOLTS. EXCEPT AS NOTED, ALL CUSTOMER WIRING CONNECTIONS ARE MADE TO CIRCUIT BOARD MOUNTED BOX LUGS WITH A WIRE RANGE OF 14 TO 18 AWG OR DIN RAIL MOUNTED SPRING FORCE TERMINALS.
- 15 UNIT PROVIDED DRY CONTACTS FOR THE CONDENSER/CHILLED WATER PUMP CONTROL. RELAYS ARE RATED FOR 7.2 AMPS RESISTIVE, 2.88 AMPS PILOT DUTY, OR 1/2 HP, 7.2 FLA AT 120 VOLTS 60 HZ. CONTACTS ARE RATED FOR 5 AMPS GENERAL PURPOSE DUTY 240 VOLTS.
- 16 CUSTOMER SUPPLIED CONTACTS FOR ALL LOW VOLTAGE CONNECTIONS MUST BE COMPATIBLE WITH DRY CIRCUIT 24 VOLTS DC FOR A 12 mA RESISTIVE LOAD. SILVER OR GOLD PLATED CONTACTS RECOMMENDED.
- 17 FIELD CONNECTIONS ARE ONLY MADE IN A CUSTOMER PROVIDED PUMP. THESE CONNECTIONS WILL BE MADE BY THE FACTORY WHEN THE PUMP IS PROVIDED BY THE FACTORY. CUSTOMER SUPPLIED POWER 115V, 60Hz, 1PH.
- 18 CUSTOMER SUPPLIED 3 PHASE POWER.
- 19 OPTIONAL FIELD ASSIGNED PROGRAMMABLE RELAYS (STAT=PRLY). CLASS 1 FIELD WIRED MODULE, RELAY AT 120V: 7.2A RESISTIVE 2.88A PILOT DUTY, 1/2 HP 7.2FLA; AT 240VAC: 5 AMPS GENERAL PURPOSE.
- 20 WIRED TO CUSTOMER 0-10 VDC PUMP SPEED SIGNAL.
- 21 WHEN FACTORY PROVIDED PUMP IS NOT SELECTED. CUSTOMER MUST SUPPLY SUITABLE PUMP SYSTEM. REFER TO PUMP MANUFACTURER FOR WIRING REQUIREMENTS.
- 22 THE CONTACTS FOR AUTO STOP AND EMERGENCY STOP SWITCHES ARE JUMPERED AT THE FACTORY BY JUMPERS W2 & W3 TO ENABLE UNIT OPERATION. IF REMOTE CONTROL IS DESIRED, REMOVE THE JUMPERS AND CONNECT TO THE DESIRED CONTROL CIRCUIT.
- 23 1A15, LCI MODULE USED WHEN (COMM = LC).
- 24 1A41, BACNET INTERFACE MODULE USED WHEN (COMM = BCNT).