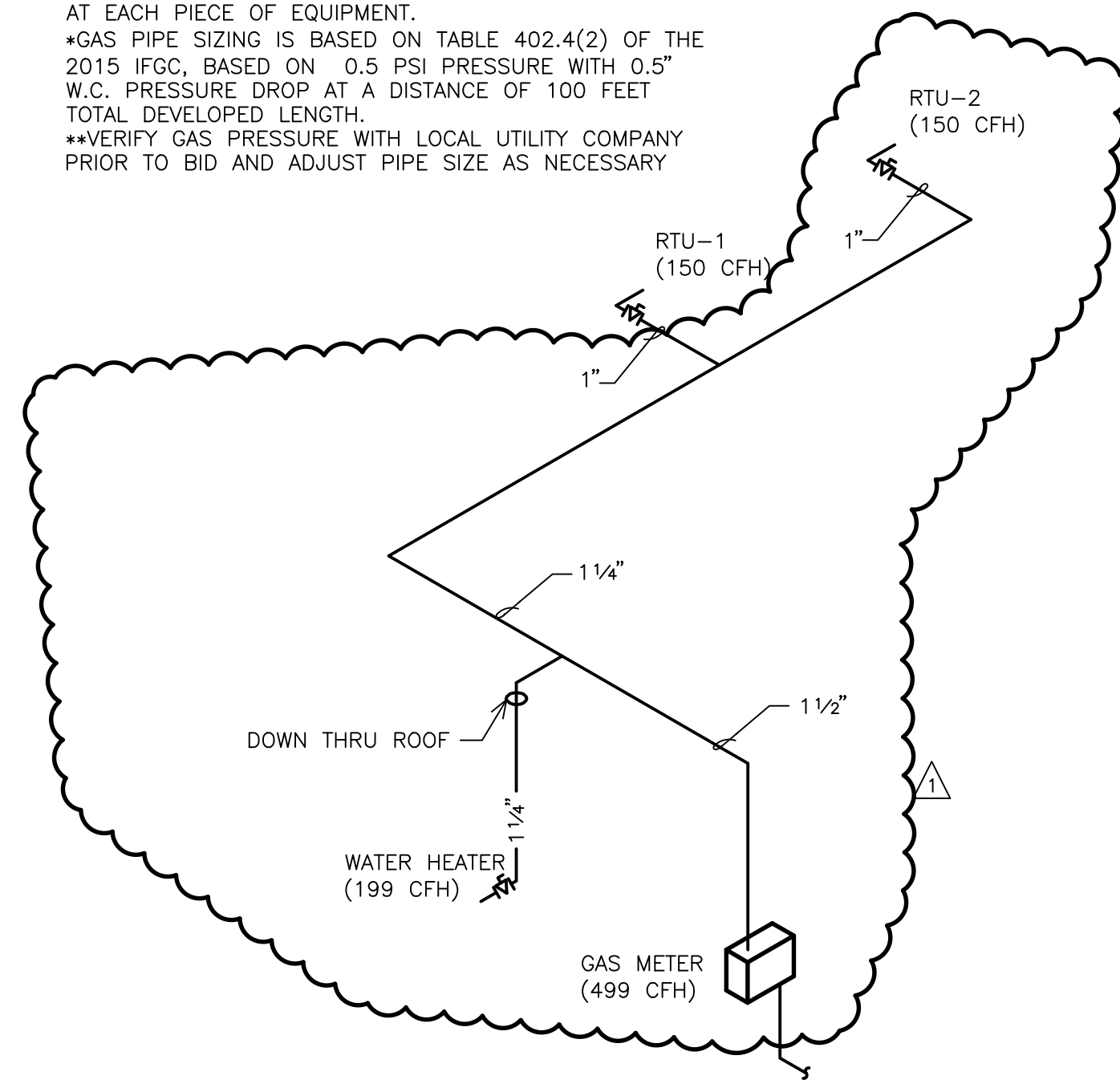


GAS SERVICE REQUIREMENTS:

WATER HEATER	199,000 BTUH
RTU-1	150,000 BTUH
RTU-2	150,000 BTUH
TOTAL	499,000 BTUH INPUT

NOTE: ALL INT. & EXT. GAS PIPING SHALL BE PAINTED BLACK INDUSTRIAL ENAMEL.

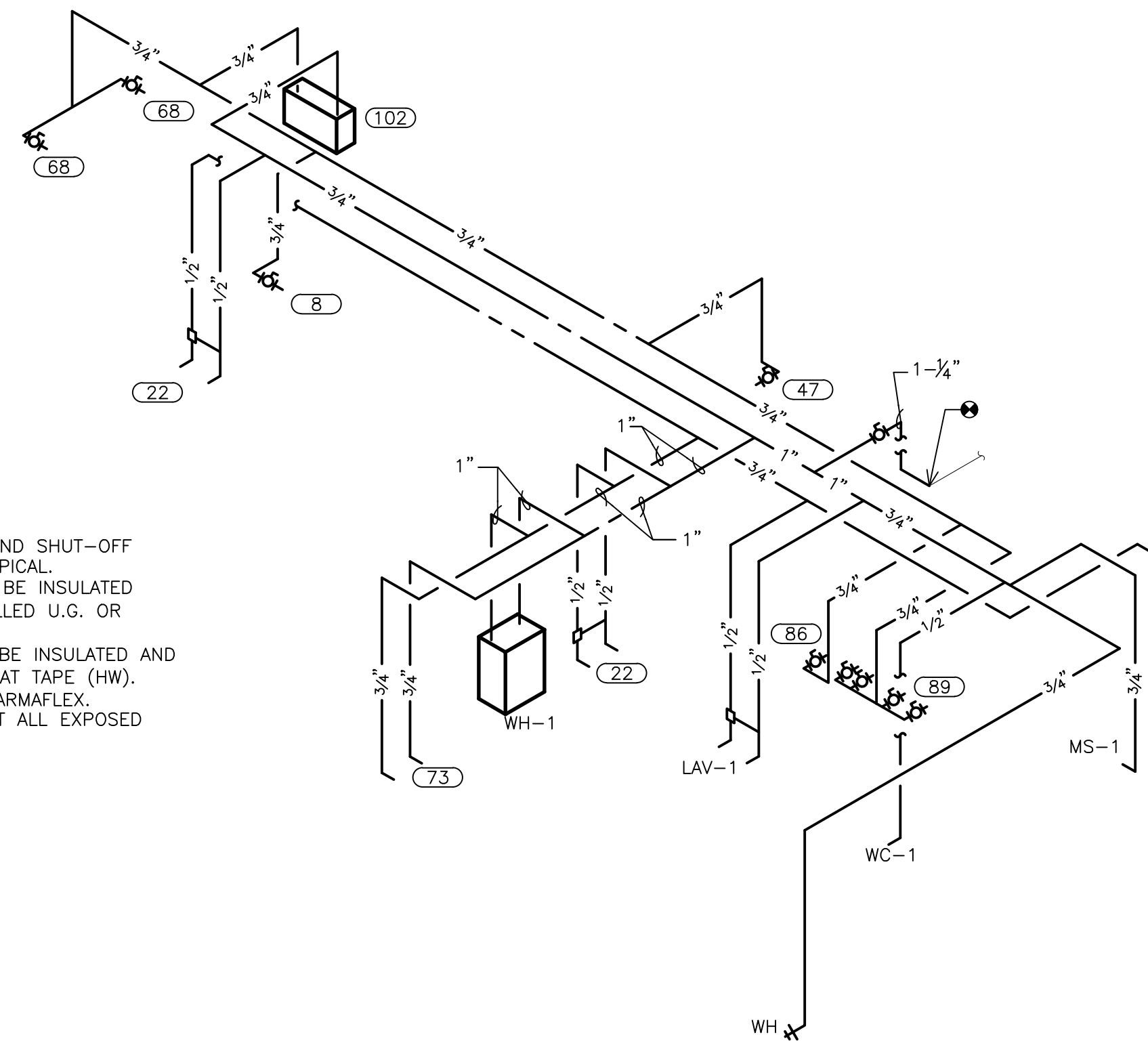
PROVIDE MINIMUM GAS PRESSURE OF 0.5 PSI
 PROVIDE WITH PROPER GAS PRESSURE REGULATORS AND VALVES AS REQUIRED PER MANUFACTURER REQUIREMENTS AT EACH PIECE OF EQUIPMENT.
 *GAS PIPE SIZING IS BASED ON TABLE 402.4(2) OF THE 2015 IFGC, BASED ON 0.5 PSI PRESSURE WITH 0.5" W.C. PRESSURE DROP AT A DISTANCE OF 100 FEET TOTAL DEVELOPED LENGTH.
 **VERIFY GAS PRESSURE WITH LOCAL UTILITY COMPANY PRIOR TO BID AND ADJUST PIPE SIZE AS NECESSARY



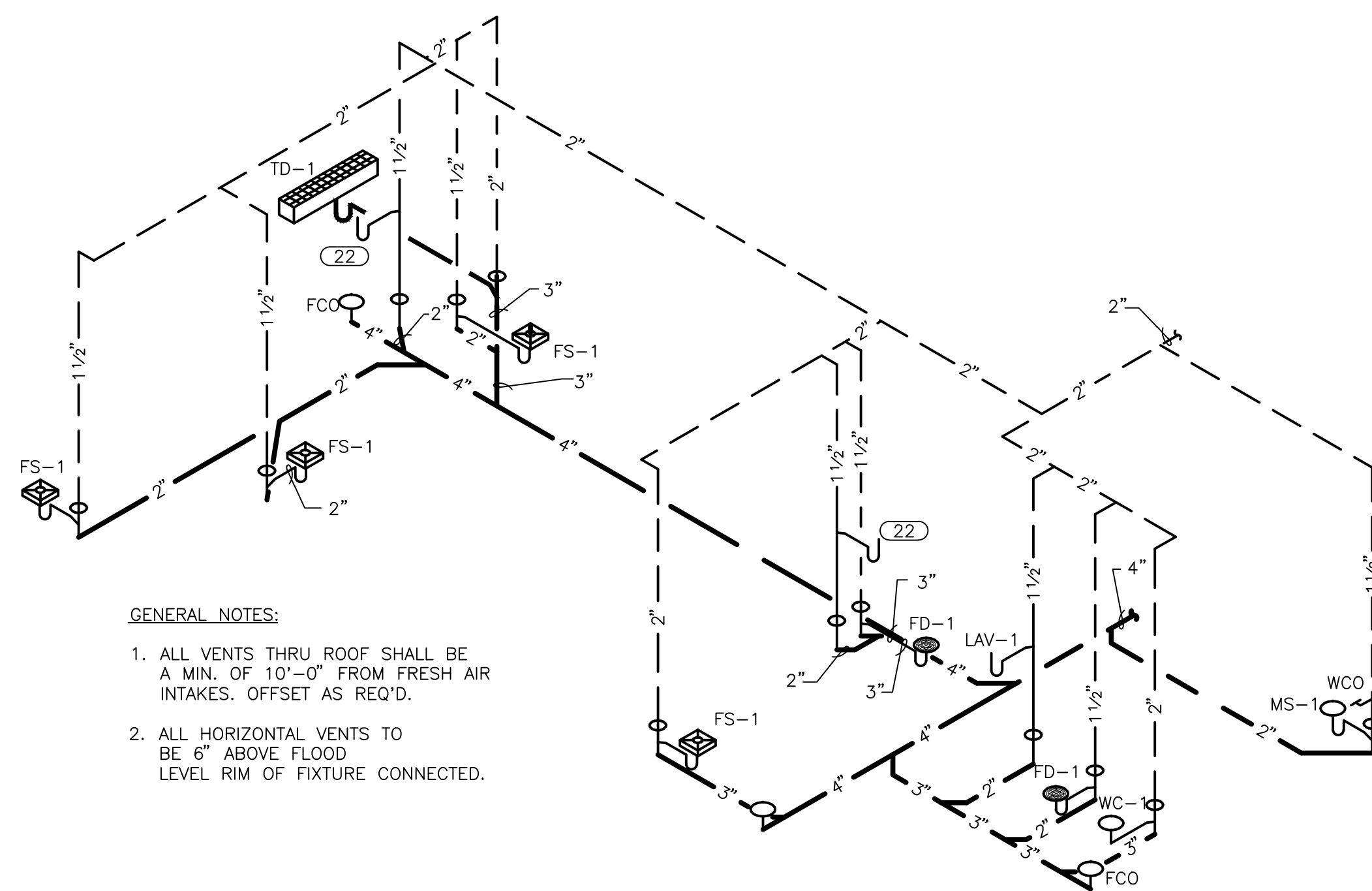
3 GAS PIPING RISER DIAGRAM
 P2.01 SCALE: N.T.S.

GENERAL NOTES:

1. PROVIDE 10" CAPPED AIR CHAMBER AND SHUT-OFF VALVE AT EACH FIXTURE SUPPLY, TYPICAL.
2. ALL HOT AND COLD WATER LINES TO BE INSULATED
3. C.W. LINE TO BE INSULATED IF INSTALLED U.G. OR OVER HEAD. (NO EXCEPTIONS)
4. ALL WATER LINE IN MECH. ROOM TO BE INSULATED AND WRAPPED WITH SELF REGULATING HEAT TAPE (HW). INSULATE BACKFLOW PREVENTOR W/ ARMAFLEX.
5. P.C. TO PROVIDE S.S EXCUTCHIONS AT ALL EXPOSED WALL PENETRATIONS.



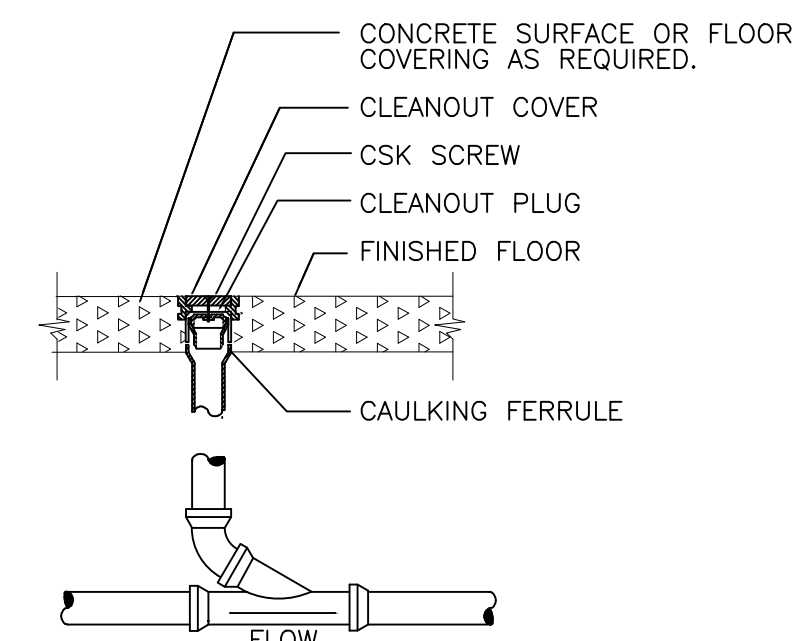
2 WATER RISER DIAGRAM
 P2.01 SCALE: N.T.S.



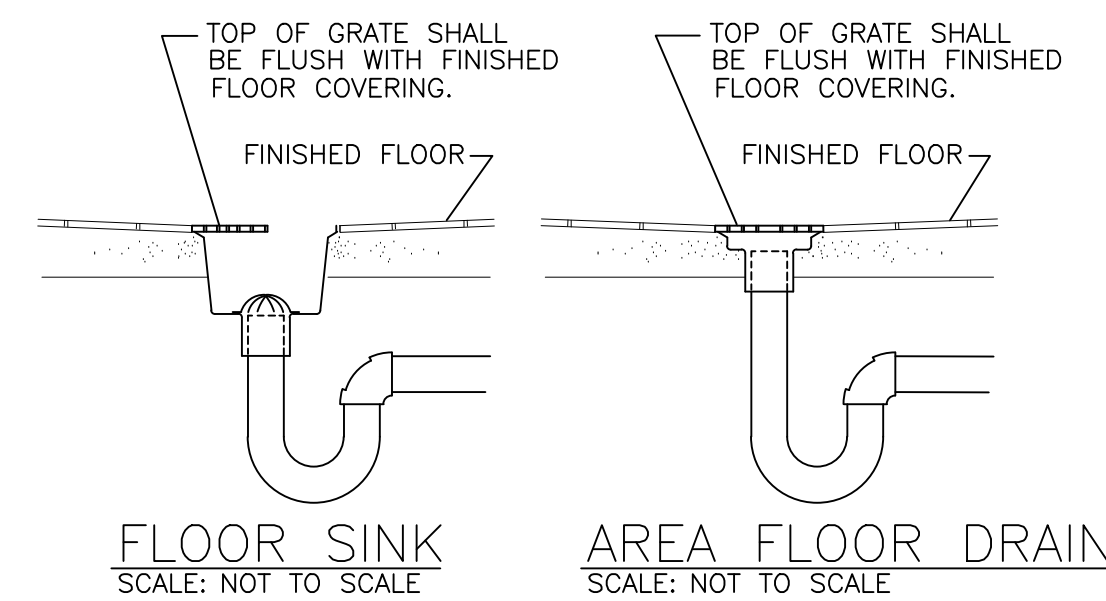
GENERAL NOTES:

1. ALL VENTS THRU ROOF SHALL BE A MIN. OF 10'-0" FROM FRESH AIR INTAKES, OFFSET AS REQ'D.
2. ALL HORIZONTAL VENTS TO BE 6" ABOVE FLOOR LEVEL RIM OF FIXTURE CONNECTED.

1 WASTE AND VENT RISER DIAGRAM
 P2.01 SCALE: N.T.S.



4 CLEANOUT DETAIL
 P2.01 SCALE: N.T.S.



5 FLOOR DRAIN DETAILS
 P2.01 SCALE: N.T.S.

CONSULTANT:



DUNHAM

DUNHAM
 50 South Sixth Street / Suite 1100
 Minneapolis, Minnesota 55402-1540
 PHONE 612.465.7550
 FAX 612.465.7551
 WEB dunhameng.com
 mechanical + electrical
 consulting engineering

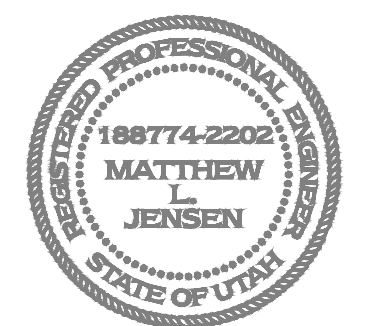
CLIENT:

NEIGHBORHOOD SDI
 P.O. BOX 95388
 SOUTH JORDAN, UT 84095

PROJECT INFORMATION:

SONIC
 SONIC 3D CONCEPT
 14 NORTH FORT LANE
 LAYTON, UT 84041
 STORE #6697

SEAL:



4/11/2018

PROJECT NO.: 0418739-017
 DRAWN BY: TAB
 CHECKED BY: GS

ISSUE: DATE:
 BIDDING SET 03-19-18
 PERMIT SET 03-22-18

REVISION: DATE:
 BIDDING CHANGES 04-11-18

PROJECT LOCATION:
LAYTON, UT
(3D CONCEPT)

SHEET NUMBER / TITLE:

P2.01
PLUMBING RISERS AND DETAILS